

FAB

Slave Door Locking System for PVCu, Timber and Composite

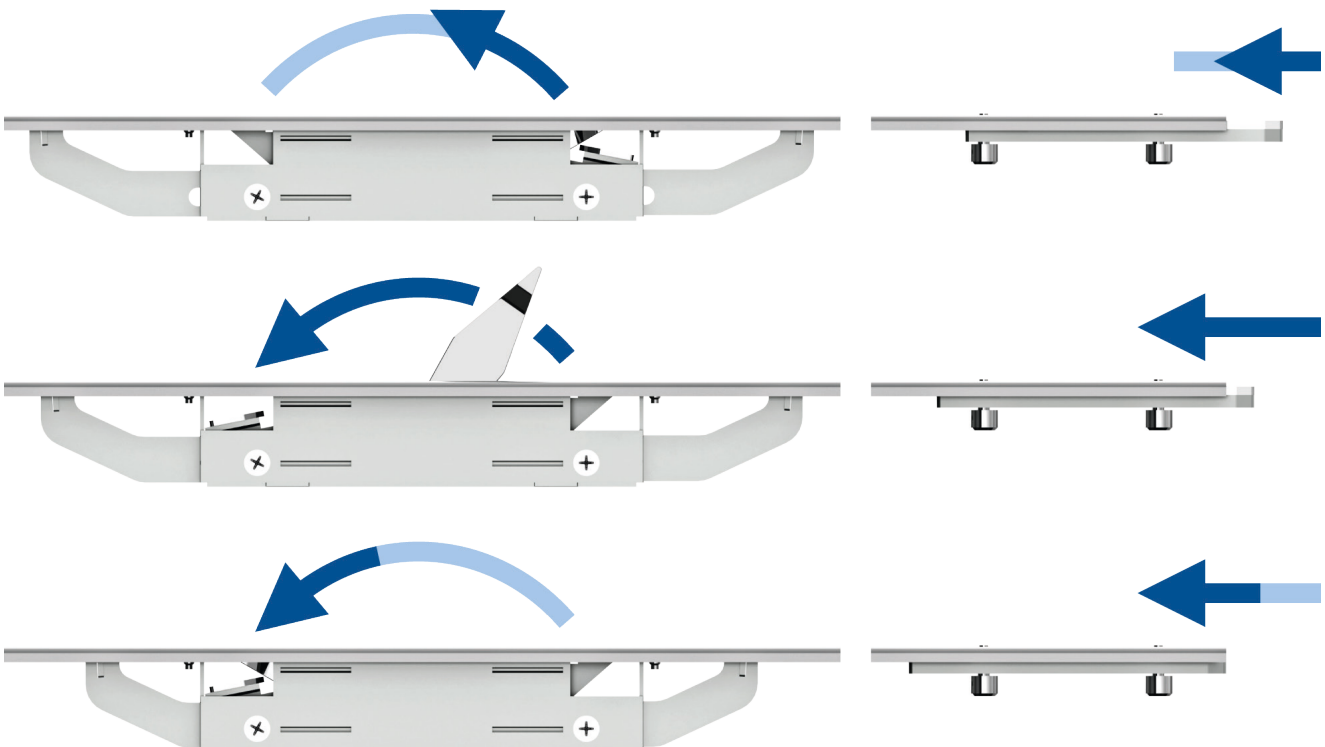


Shootbolt keep rails with integrated shootbolts

The Winkhaus FAB slave door lock range provides a high security locking option WITHOUT the need for a security Kitemark cylinder, cylinder guard or a security handle. Operated by a flush, integrated, two way lever, the FAB slave lock throws two heavy duty 20mm shootbolts into the head and cill. Combined with the renowned Cobra™ or Trulock+ Multi-Point lock on the master door, the locking hooks penetrate the FAB Slave lock to secure the two leaves together. No additional hook keeps are required. Substantial shootbolt keeps have +/- 2mm of adjustment for ease of operation.

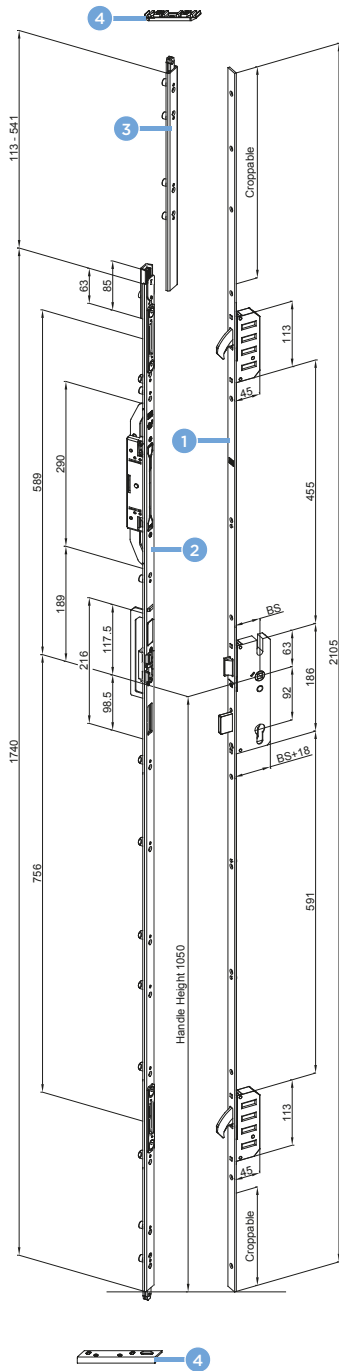
With a size range from 1853mm to 2880mm, the flexibility is exceptional and is ideally suited to the trend towards taller French doors and for main entrance doors with a operating side panel. These types of doors are being increasingly specified for wheelchair access or for moving large pieces of furniture in or out of the building.

- An attractive alternative to normal slave door locks.
- Secure U26 keep rail with 20mm long laminated steel top and bottom shootbolts.
- Easily operated by the convenient operating lever.
- Quickly installed in the slave leaf of double doors (Requires doors with opposing eurogrooves).
- Removes the need to handle and cylinder.
- Ideal for double doors with irregular sash widths.
- Variants to suit Winkhaus standard, short and tall (3 Hook) locks.
- Integral bottom shootbolt giving 1050mm handle height.
- To suit sash heights 1853 - 2880mm.
- SKG **



Shootbolt keep rail U26-BN13-62 MV2 with integrated shootbolts

Specification for short doors, variant 62



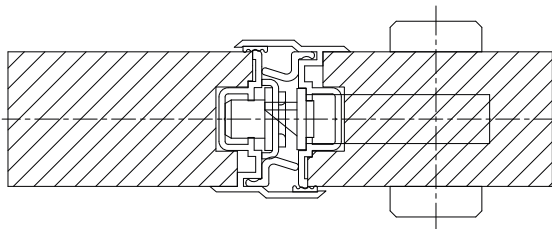
- 1 STV lock (variant 62 - short height)
- 2 FAB Flushbolt keep rail
- 3 Shootbolt (croppable)
- 4 Shootbolt Keep

Article description	Article No.
U26-BN13 Flushbolt:	
For sash rebate heights: 1853 - 2281mm	
Handle position 1050mm	
Total length 1740mm	
Shootbolt keep rails	
U26-BN13-62 FAB Flushbolt AVM MV2 RH V1	5048968
U26-BN13-62 FAB Flushbolt AVM MV2 LH V1	5048969
Shootbolts	
STV-ASS Shootbolt U256/26 (113 - 256mm)	4934257
STV-ASS Shootbolt U399/26 V1 (229 - 399mm)	5055298
STV-ASS Shootbolt U541/26 (399 - 541mm)	4934262

Notice

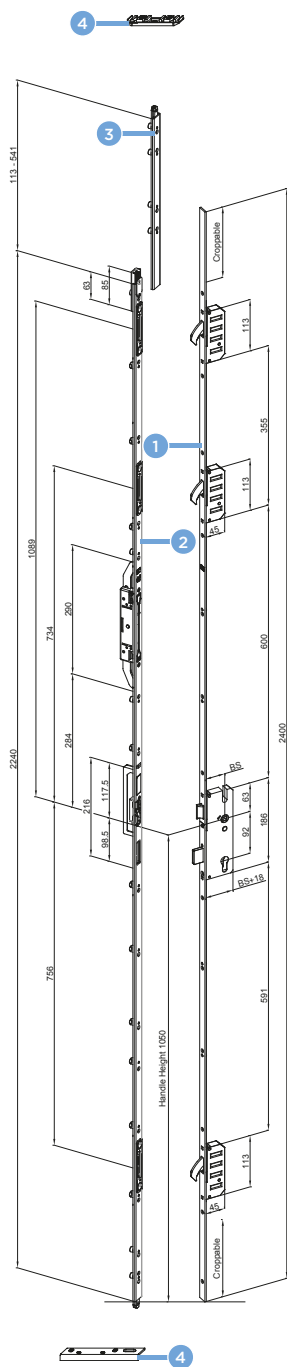
Overall for screwing use min. \varnothing 4,0 x 40 mm for lock and frame parts.

Optional Aluminium Edge Profile	
FAB Alu. 44 Rebate RH Full Width (Pair)	5062732
FAB Alu. 44 Rebate RH Full Width (Pair)	5062731



Shootbolt keep rail U26-BN13-69 MV2 with integrated shootbolts

Specification for tall doors, variant 69



- 1 STV lock (variant 69 - tall height)
- 2 FAB Flushbolt keep rail
- 3 Shootbolt (croppable)
- 4 Shootbolt Keep

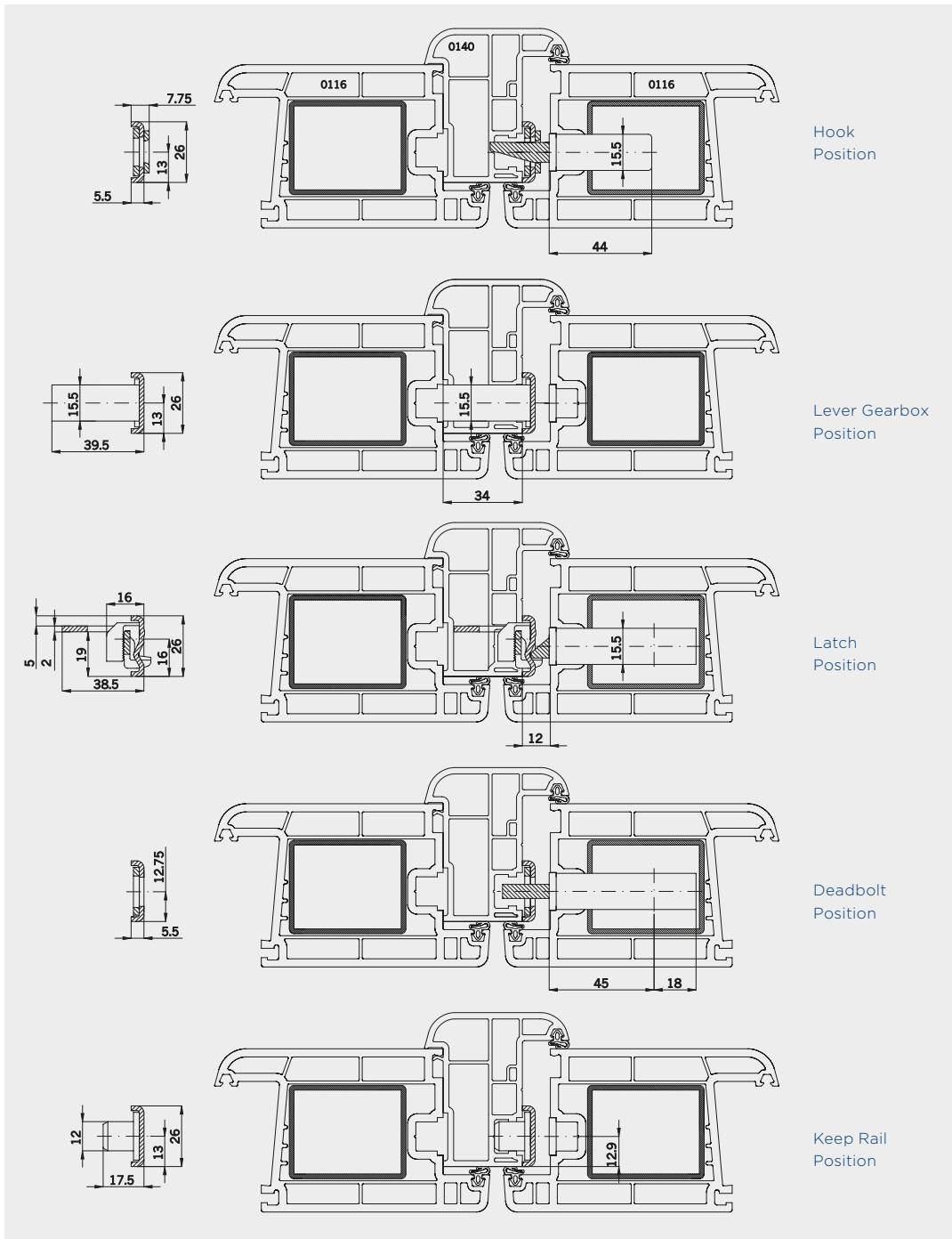
Article description	Article No.
U26-BN13 Flushbolt:	
For sash rebate heights: 2353 - 2781mm	
Handle position 1050mm	
Total length 2240mm	
Shootbolt keep rails	
U26-BN13-69 FAB Flushbolt AVM MV2 RH V1	5048970
U26-BN13-69 FAB Flushbolt AVM MV2 LH V1	5048971
Shootbolts	
STV-ASS Shootbolt U256/26 (113 - 256mm)	4934257
STV-ASS Shootbolt U399/26 V1 (229 - 399mm)	5055298
STV-ASS Shootbolt U541/26 (399 - 541mm)	4934262

Notice

Overall for screwing use min. Ø 4,0 x 40 mm for lock and frame parts.

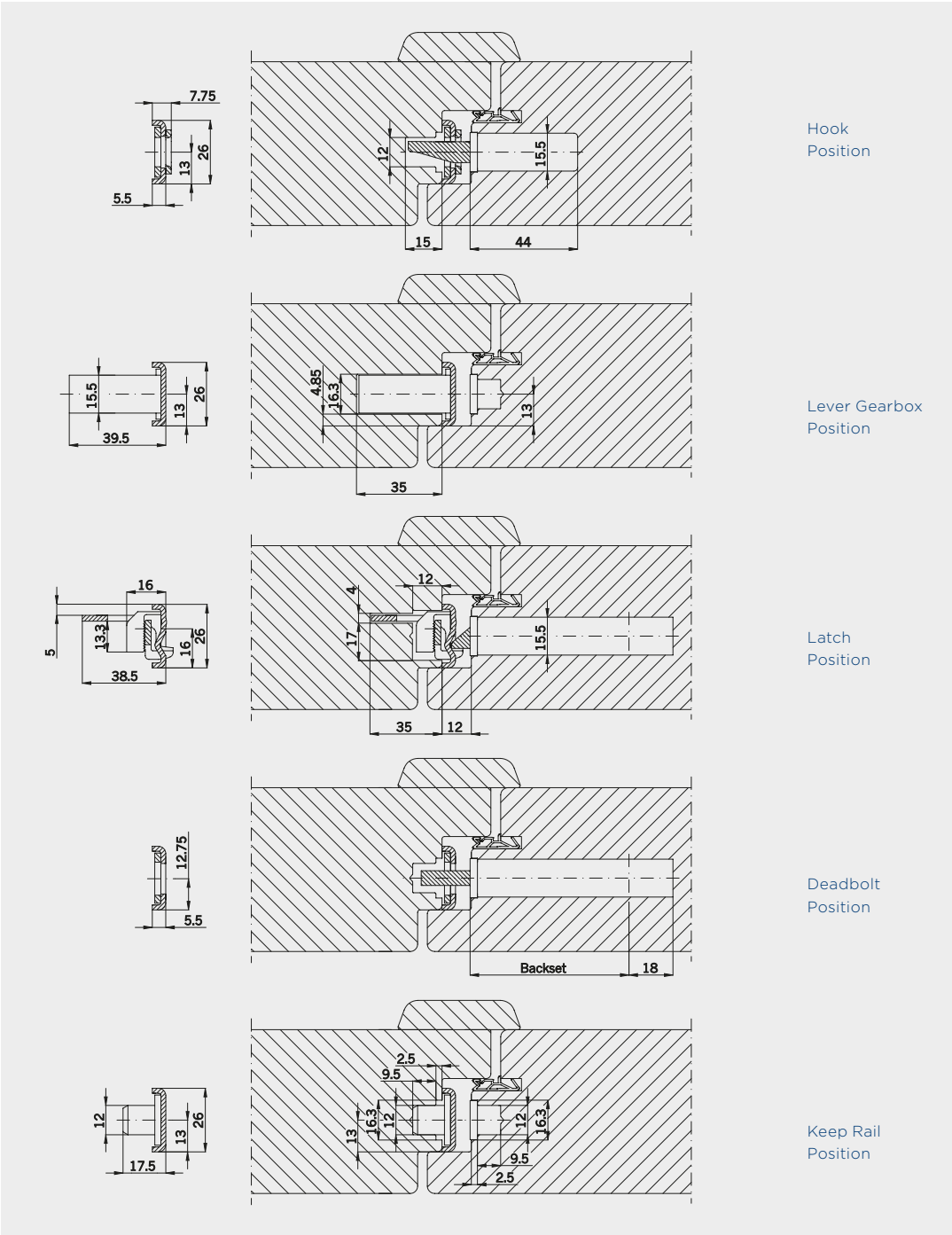
Shootbolt keep rail U26-BN13with integrated shootbolts for PVCu doors

Installation drawings



Shootbolt keep rail U26-BN13 with integrated shootbolts for timber doors

Installation drawings



Winkhaus UK Ltd

2950 Kettering Parkway, Kettering,
Northants NN15 6XZ
Tel: +44 (0)1536 316000
Fax: +44 (0)1536 416516

www.winkhaus.co.uk
email: enquiries@winkhaus.co.uk

FAB Slave Door Locking System for PVCu, Timber and Composite 2020-B

All rights and modifications are reserved