

Winkhaus FGTI

High security locking system for double doors with mullion



made in
GERMANY



FGTI double door layout

Shootbolts on slave and master

Slave Lock Options

| Part Number | Description |
|-------------|---------------------------------|
| 2948452 | STV-FGTI 1681/35 92/8 ME Silver |
| 4941725 | STV-FGTI 1681/45 92/8 ME Silver |

Master Lock Options

| Part Number | Description |
|-------------|--------------------------------|
| 2945681 | STV-FGT 1681/35 92/8 M2 Silver |

Handle Rebate Heights - Shootbolts

| Part Number | Bottom Slave Shootbolt | Min Handle Height | Max Handle Height |
|-------------|------------------------|---------------------|---------------------|
| 5036000 | STV-A 110/16 | 925mm ^A | 985mm ^B |
| 5032052 | STV-A 175/16 | 977mm ^A | 1050mm ^B |
| 5032053 | STV-A 372/16 | 1040mm ^A | 1247mm ^B |

A = Bottom slave shootbolt fully cropped

B = Bottom slave shootbolt non-cropped

Door Rebate Heights - Shootbolts

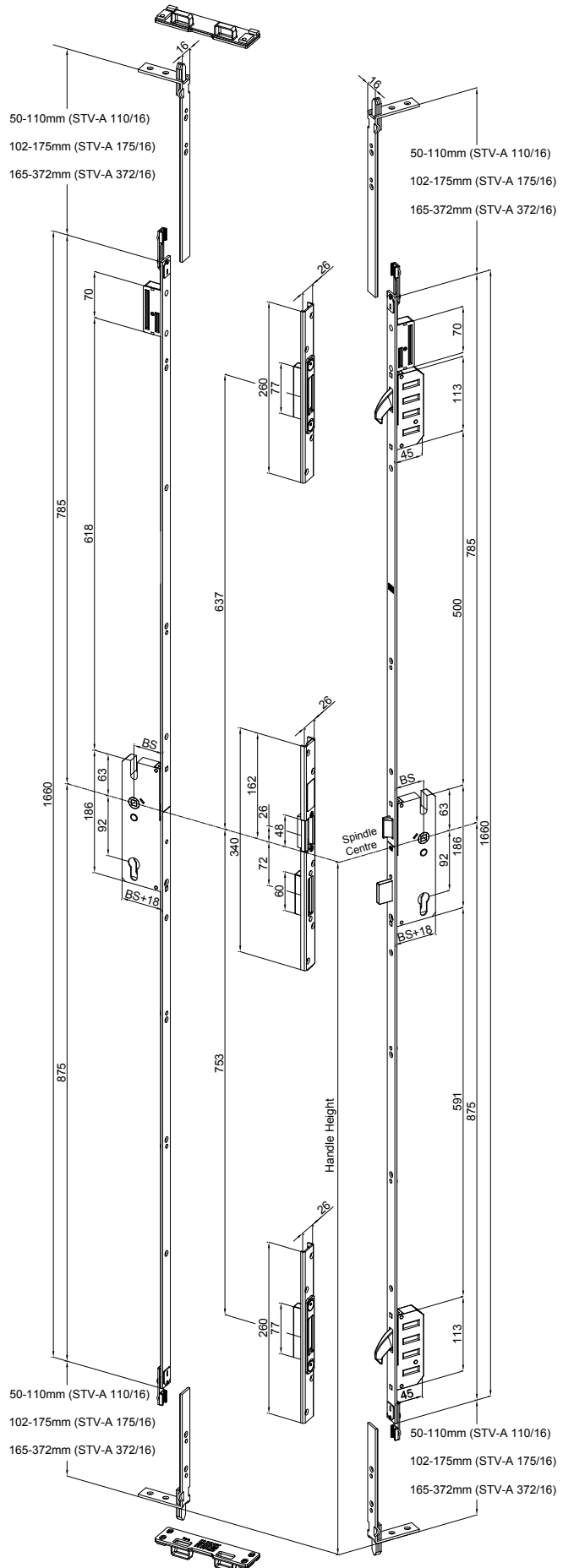
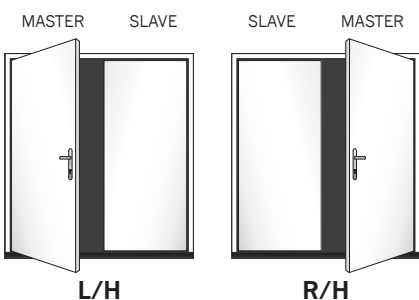
| Part Number | Top Slave Shootbolt | Min Rebate Height | Max Rebate Height |
|--|---------------------|---------------------|---------------------|
| Handle Height = 925mm (bottom Shootbolt = STV-A 110/16 fully cropped)* | | | |
| 5036000 | STV-A 110/16 | 1760mm ^A | 1820mm ^B |
| 5032052 | STV-A 175/16 | 1812mm ^A | 1885mm ^B |
| 5032053 | STV-A 372/16 | 1875mm ^A | 2082mm ^B |
| Handle Height = 1050mm (bottom Shootbolt = STV-A 175/16 not cropped)* | | | |
| 5036000 | STV-A 110/16 | 1885mm ^A | 1945mm ^B |
| 5032052 | STV-A 175/16 | 1937mm ^A | 2010mm ^B |
| 5032053 | STV-A 372/16 | 2000mm ^A | 2207mm ^B |
| Handle Height = 1247mm (bottom Shootbolt = STV-A 372/16 not cropped)* | | | |
| 5036000 | STV-A 110/16 | 2082mm ^A | 2142mm ^B |
| 5032052 | STV-A 175/16 | 2134mm ^A | 2207mm ^B |
| 5032053 | STV-A 372/16 | 2197mm ^A | 2404mm ^B |

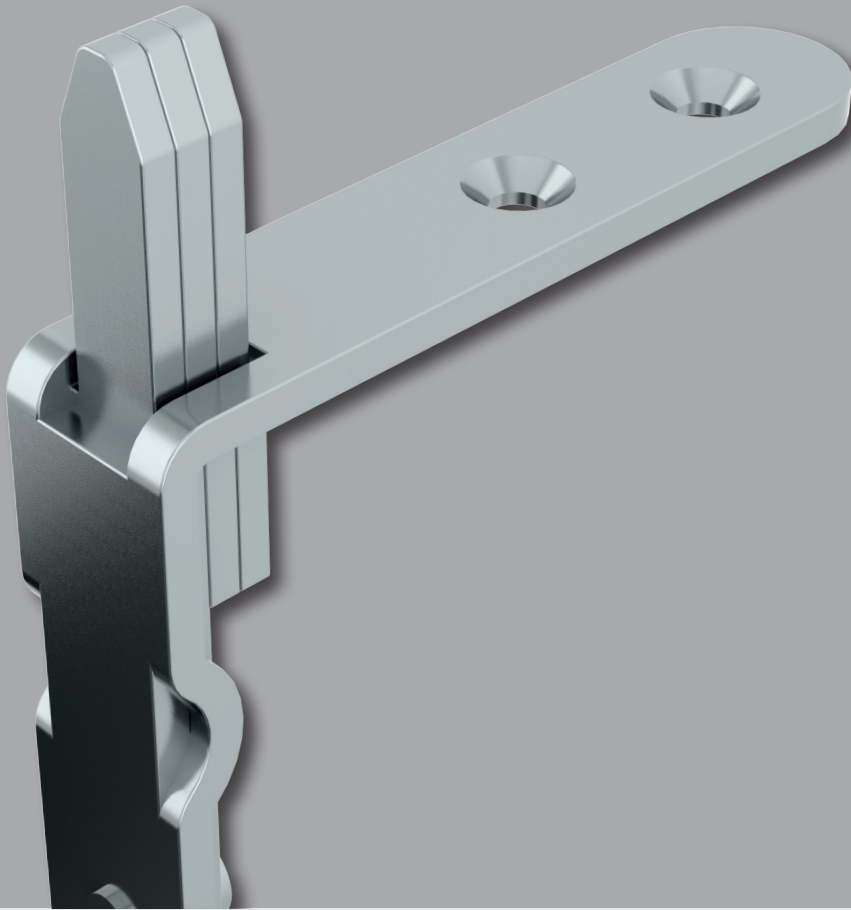
* Sizes increase and decrease proportionally when increasing and decreasing the handle height

A = Top slave shootbolt fully cropped

B = Top slave shootbolt non-cropped

Slave Lock Handing





Key Features:

- + For PVCu, Aluminium and Timber double doors with dummy mullion
 - + Master lock options consists of two high tensile steel hooks, latch and deadbolt
 - + Lever operated 25mm throw security hooks help counter bow and twist and aid the easy operation of the locking system.
 - + Shootbolts on slave and master door.
 - + Traditional appearance handles are fitted to both slave and master door.
 - + Slave and Master door have independent cylinder locking capability and can be keyed alike using Winkhaus's extensive range of cylinder options.
 - + Slave backset options of 35mm or 45mm.
 - + Master backset options of 35mm, 45mm or 55mm.
 - + Shootbolts can be cropped to size to suit individual door leaf height.
 - + Fully adjustable centre latch +/- 2mm.
 - + Locking point compression adjustment +/- 2mm.
 - + Fully adjustable shootbolt keeps +/- 2mm.
 - + Suitable for both inward and outward double doors.
 - + Police 'Secured by Design' approved.
 - + PAS 24 and Part Q compliant.
-

Winkhaus UK Ltd

2950 Kettering Parkway, Kettering,
Northants NN15 6XZ

Tel: +44 (0)1536 316000

Fax: +44 (0)1536 416516

www.winkhaus.co.uk

email: enquiries@winkhaus.co.uk