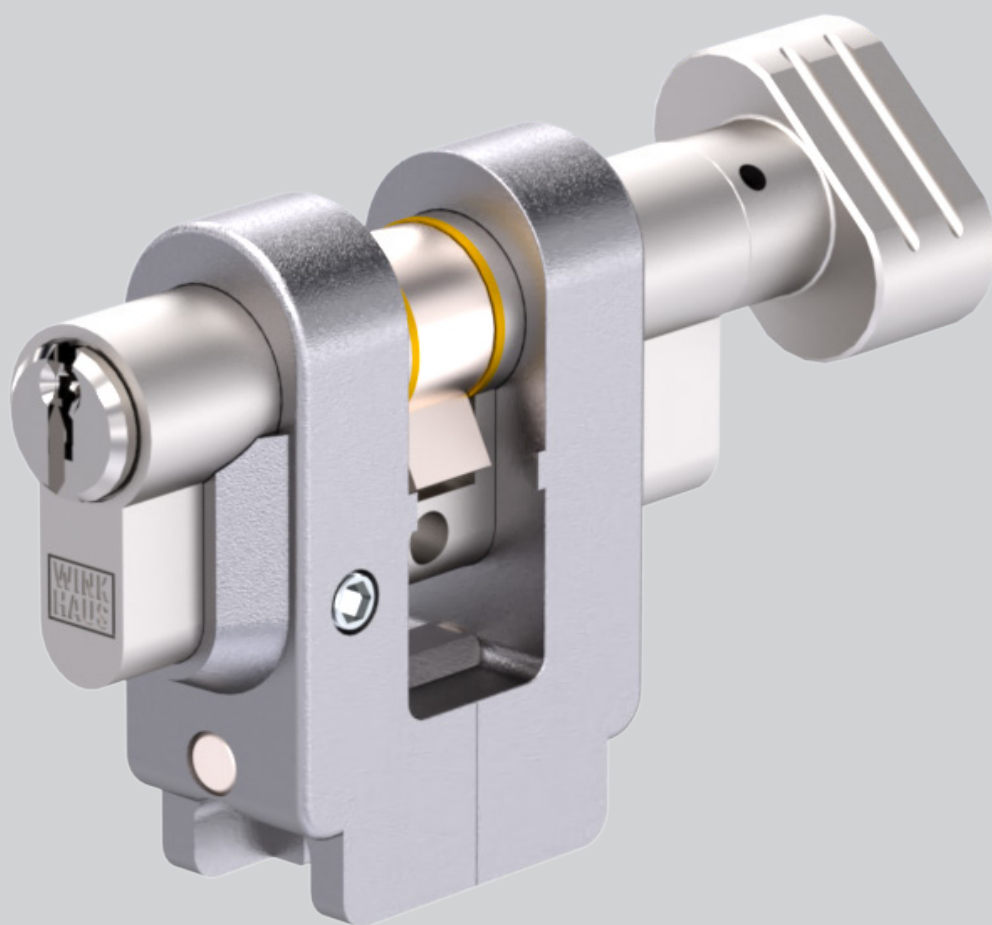


Winkhaus 3 Star Solution

2 star Cylinder protection for Euro Profile Cylinders
Designed to withstand extreme attack!



TS007
KM 531333



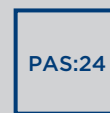
3 STAR
SOLUTION



RESISTS CORE
EXTRACTION



SBD
APPROVED



PAS:24
COMPLIANT

1 star + 2 star = 3 star

Uncompromising security, precision and quality



TS007 3 Star Combination

When ArmorShield™ and Winkhaus XR6-51 star cylinder are used together, a TS007 3 star combination is created. Both parts used in conjunction with one another result in a anti-bump, anti-drill, anti-pick and snap resistant locking solution.

Enhanced and Extra Security

If the door handle is forcibly removed from the exterior, ArmorShield™ helps prevent the potential intruder from snapping the locking cylinder and gaining entry.

Concealed Fit

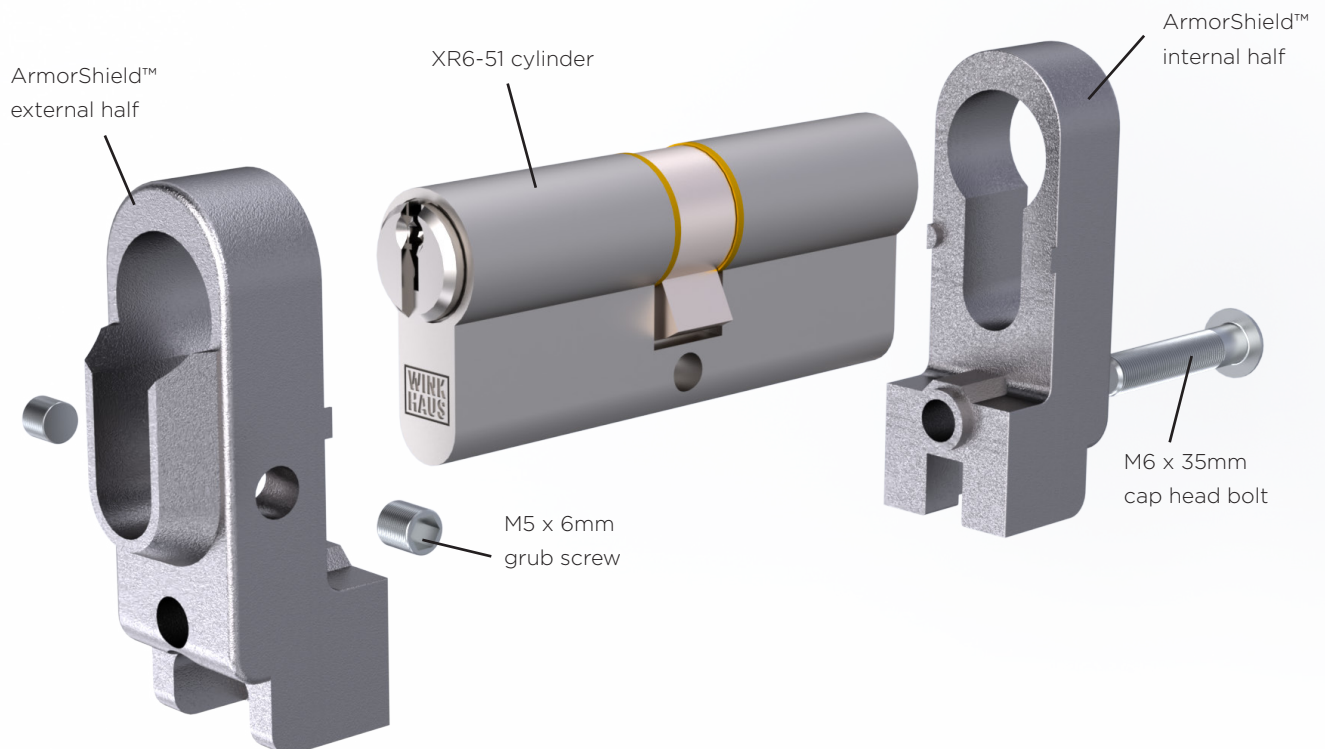
When fitted, the ArmorShield™ is completely concealed within the base plate of the handle, in conjunction with steel tumbler pins increase drill resistance



Winkhaus ArmorShield Hardware Security

Located in the fabric of the door the ArmorShield™ device shroud's the locking cylinder and helps protect it from attack from crow bars, mole grips and large screwdrivers!

- + If the handle is forcibly removed from the exterior of the door the ArmorShield™ helps prevent the potential intruder from snapping the locking cylinder and gaining entry to the property.
- + When fitted the ArmorShield™ is completely concealed within the base plate of the handle.
- + Handle bolts through the ArmorShield™ for enhanced security.
- + Complies with the latest Police 'Secured by Design' Guidelines.
- + Tested in accordance with A7 Heavy duty tools as specified in PAS24: A7 security standard.
- + The thumb turn on a XR6 Kitemark cylinder can be easily removed and re-installed to aid installation.



Exploded view of ArmorShield™ and XR6-51 Kitemark cylinder. The M6 bolt is used to hold the ArmorShield™ halves together and 2 M5 grub screws are tightened to help prevent the cylinder being removed.

Winkhaus UK Ltd

2950 Kettering Parkway, Kettering,
Northants NN15 6XZ
Tel: +44 (0)1536 316000

www.winkhaus.co.uk
email: enquiries@winkhaus.co.uk

Winkhaus 3 Star Solution 2024-A

All rights and modifications are reserved